

# T-Tron® Very Fast-Acting Fuses

Class T — 600 Volt, 1 to 800 Amps

JJS



Catalog Symbol: JJS  
 Current-Limiting  
 Very Fast-Acting  
 Ampere Rating: 1 to 800A  
 Voltage Rating: 600Vac (or less)  
 Interrupting Rating: 200,000A RMS Sym.  
 Agency Information:  
 UL Listed, Std. 248-15, Class T, Guide JDDZ, File E4273  
 CSA Certified, C22.2 No. 248.15, Class 1422-02, File 53787

### Catalog Numbers

|        |         |         |
|--------|---------|---------|
| JJS-1  | JJS-45  | JJS-200 |
| JJS-2  | JJS-50  | JJS-225 |
| JJS-3  | JJS-60  | JJS-250 |
| JJS-6  | JJS-70  | JJS-300 |
| JJS-10 | JJS-80  | JJS-350 |
| JJS-15 | JJS-90  | JJS-400 |
| JJS-20 | JJS-100 | JJS-450 |
| JJS-25 | JJS-110 | JJS-500 |
| JJS-30 | JJS-125 | JJS-600 |
| JJS-35 | JJS-150 | JJS-800 |
| JJS-40 | JJS-175 | —       |

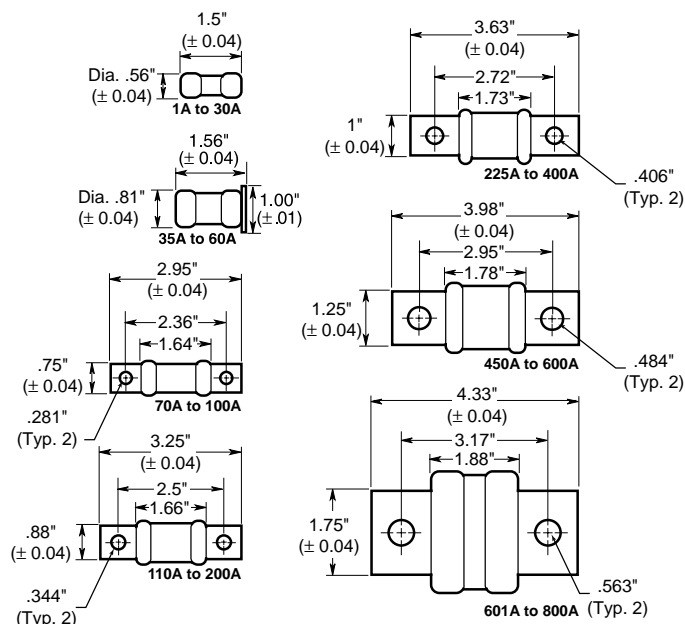
See page 2 Of 2 for printed circuit board variations.

### Carton Quantity and Weight

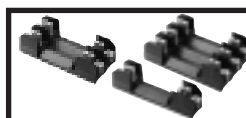
| Catalog Number | Carton Qty. | Weight* |       |
|----------------|-------------|---------|-------|
|                |             | Lbs.    | Kg.   |
| 1-30           | 10          | 0.33    | 0.149 |
| 35-60          | 10          | 0.82    | 0.371 |
| 70-100         | 5           | 0.51    | 0.231 |
| 110-200        | 1           | 0.192   | 0.087 |
| 225-400        | 1           | 0.46    | 0.208 |
| 450-600        | 1           | 0.85    | 0.385 |
| 800            | 1           | 1.65    | 0.748 |

\*Weight per carton.

### Dimensional Data



- Small, space-saving fuses provide a high degree of current-limitation on short-circuits for excellent component protection.
- Commonly applied in electric heat circuits, load center, disconnect switches, and meters.
- The small size of the T-Tron fuses permits installation in panelboards and control centers for system upgrading when existing circuit breakers cannot safely interrupt larger available short-circuit currents.
- High speed of response for semiconductor protection.
- Available for printed circuit board applications.



Recommended fuseblocks for Class T 600V fuses  
 See Data Sheet: 1116

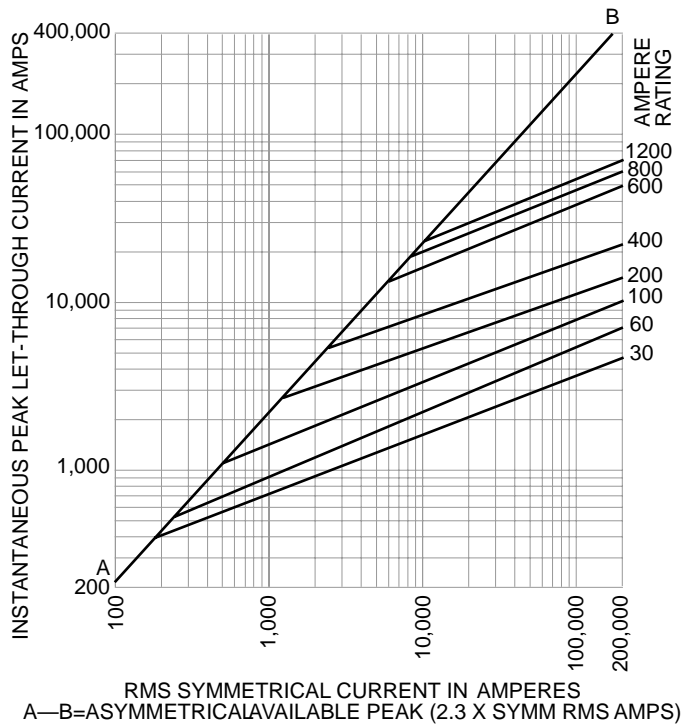
CE CE logo denotes compliance with European Union Low Voltage Directive (50-1000Vac, 75-1500Vdc). Refer to Data Sheet: 8002 or contact Bussmann Application Engineering at 636-527-1270 for more information.

# T-Tron® Very Fast-Acting Fuses

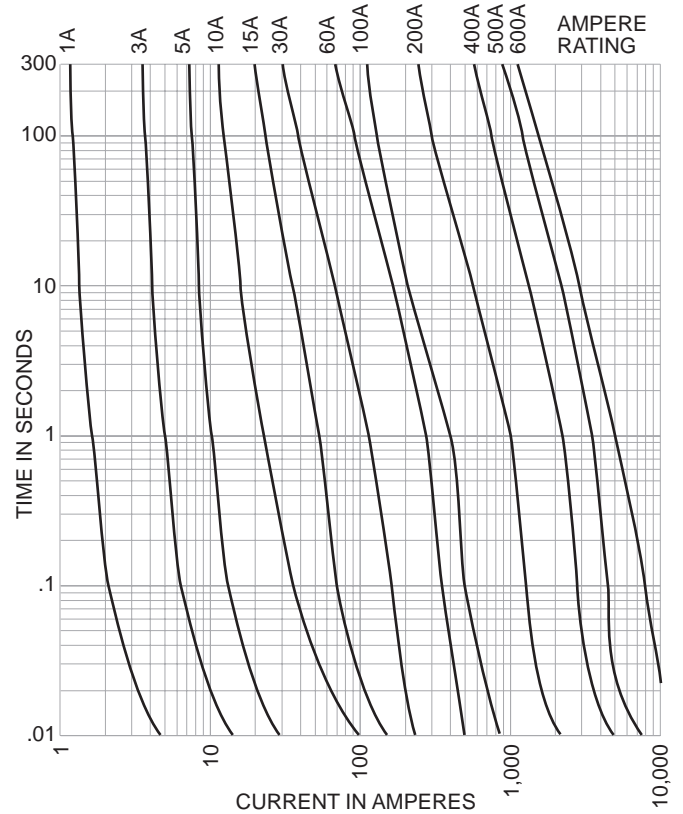
## Class T — 600 Volt, 1 to 800 Amps

JJS

Current-Limitation Curves



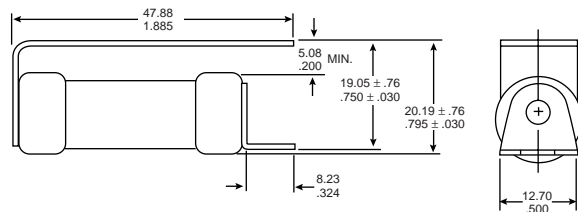
Time-Current Characteristic Curves—Average Melt



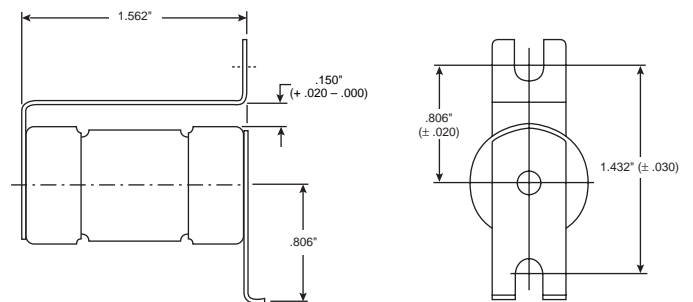
Custom Designs

- Printed circuit board variations available.
- UL Component Recognized  
File E56412, JFHR2, 600Vac, 200,000A IR

JJS-(1-30) V



JJS-(35-60) V



The only controlled copy of this Data Sheet is the electronic read-only version located on the Bussmann Network Drive. All other copies of this document are by definition uncontrolled. This bulletin is intended to clearly present comprehensive product data and provide technical information that will help the end user with design applications. Bussmann reserves the right, without notice, to change design or construction of any products and to discontinue or limit distribution of any products. Bussmann also reserves the right to change or update, without notice, any technical information contained in this bulletin. Once a product has been selected, it should be tested by the user in all possible applications.